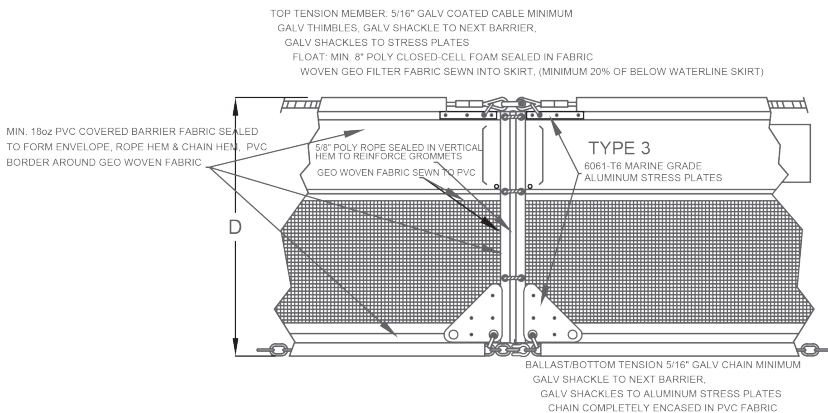
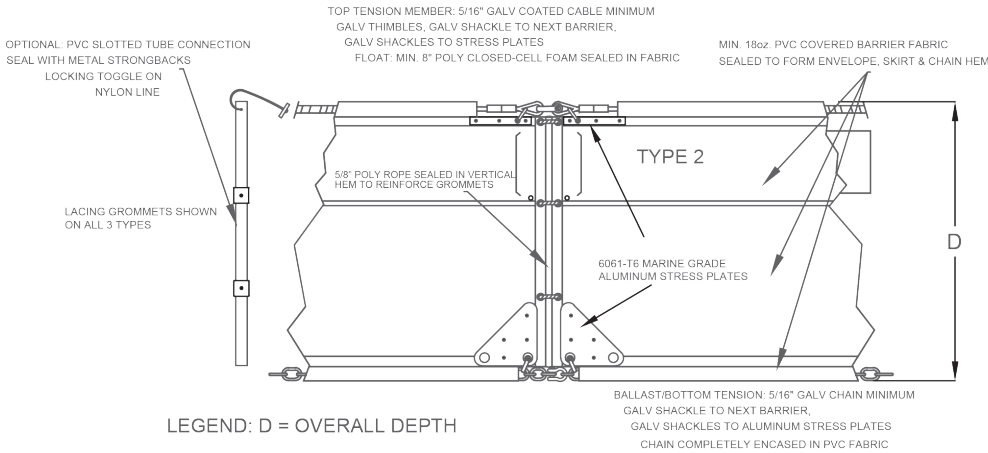
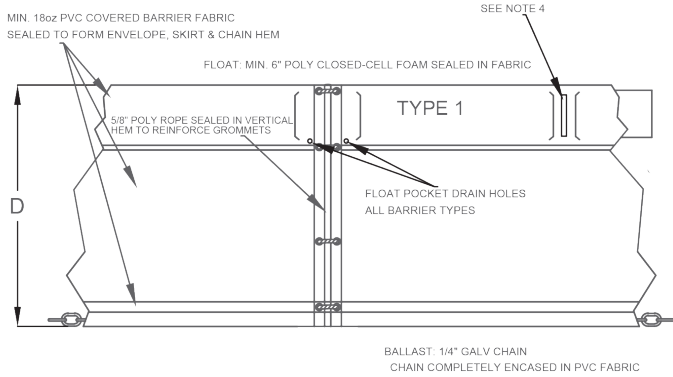




TURBIDITY BARRIERS

GENERAL DESIGN STANDARDS



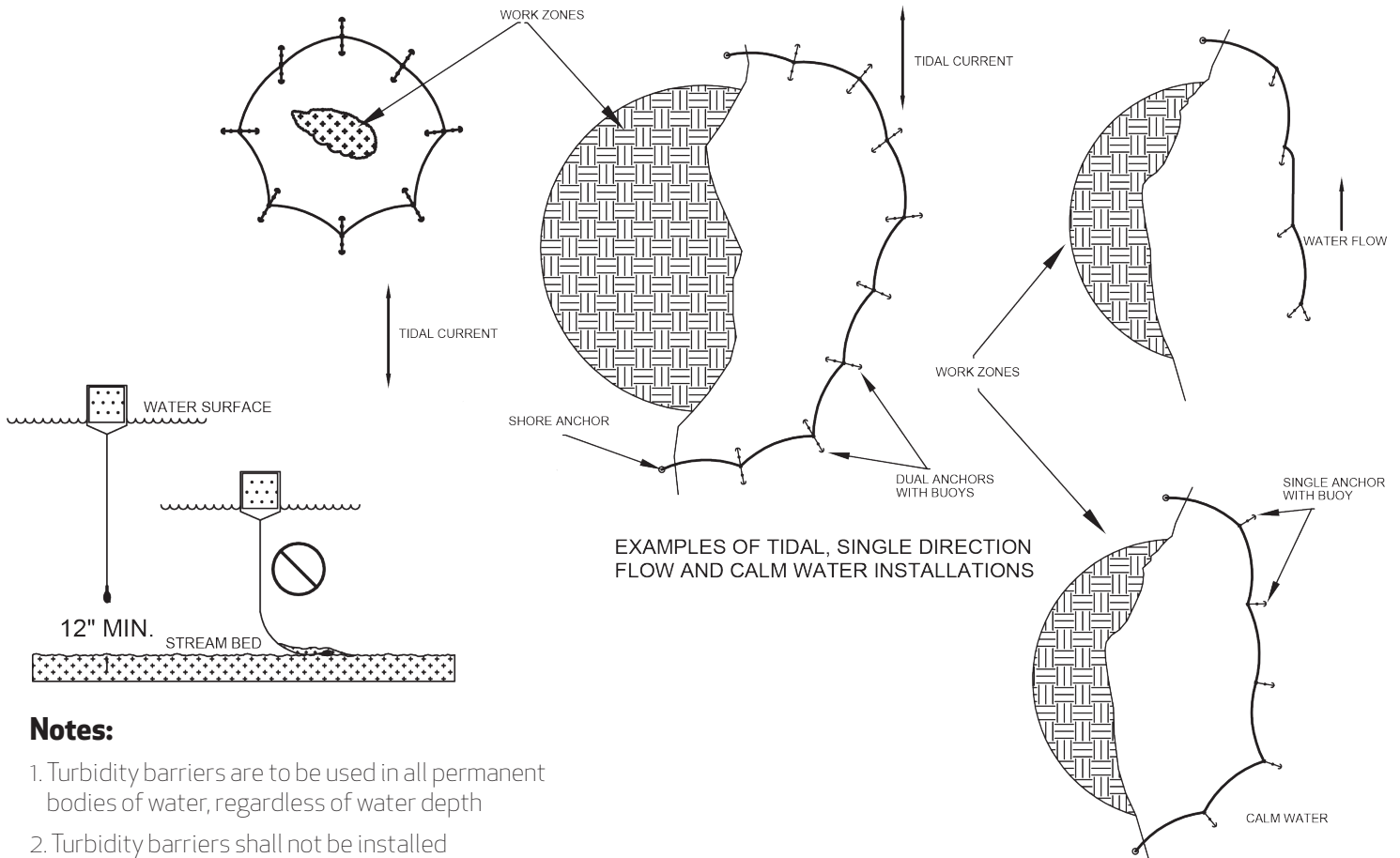
Notes:

1. Drawing not to scale
2. Barrier must have a minimum 4" freeboard
3. Floats, lacing grommet strip and ballast chain sealed in barrier fabric
4. Vertical seals between float segments
5. Overall depth to be specified by engineer
6. Barrier type and depth to be imprinted on float, min. 2 in lettering
7. 18 oz. Pvc covered barrier fabric minimum
8. Connections by lacing grommets, slotted tube or universal aluminum connector
9. Flotation sized for skirt depth/weight

SOLD ONLY BY AER-FLO DISTRIBUTORS

TURBIDITY BARRIERS

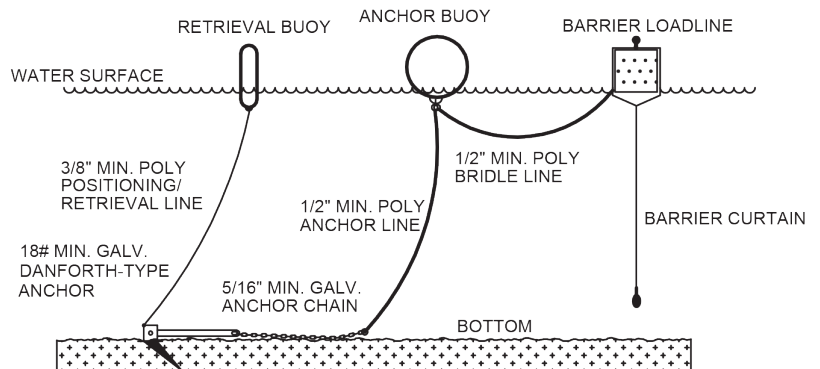
GENERAL DESIGN STANDARDS (continued)



Notes:

1. Turbidity barriers are to be used in all permanent bodies of water, regardless of water depth
2. Turbidity barriers shall not be installed perpendicular to the main flow of a significant body of moving water
3. In areas of tidal flow, place buoyed anchors on opposite sides of the barrier to prevent barrier from overriding anchor on tide change
4. Do not anchor from bottom hem
5. Barrier must maintain a minimum 4 inch freeboard
6. Anchor spacing normally 100 ft, may need 50 ft spacing or larger anchors in areas of higher current
7. Shore anchors shall be of sufficient size, with deadman, if needed
8. Keep chain hem minimum 1 ft off bottom at low tide
9. Design of barrier and anchor systems shall be in accordance with manufacturer's specifications
10. Lighted buoys shall be used to meet regulatory standards

ANCHOR SYSTEM



SOLD ONLY BY AER-FLO DISTRIBUTORS

PH: 941.747.4151 | AerFloEnv.com



DISTRIBUTED BY:

ASP Enterprises, Quick Supply Co., Bowman Construction Supply & Cascade Geosynthetics are sister companies that serve customers from the Midwest, across the Rocky Mountains to the Pacific Northwest. Together we supply customers with a variety of environmental construction materials including erosion and sediment control, geosynthetics, stormwater management, drainage products, hardscapes and outdoor living, revegetation and soil amendments, waterproofing solutions and more.



We are full line distributors of environmental construction materials for all project types. Contact us for assistance with a project or a quote on products. From specification recommendations and project development to installation and completion, we're here to help with all of your site solution needs. Our warehouses are stocked with readily available inventory and we offer same and next-day deliveries.

ASP ENTERPRISES

aspent.com

salesasp@aspent.com

ST. LOUIS

1099 Cassens Industrial Ct.
St. Louis, MO 63026
636-343-4357

KANSAS CITY

5301 E 59th St.
Kansas City, MO 64130
816-554-1191

OMAHA

15263 Cooper St.
Omaha, NE 68138
402-861-8579

WICHITA

316-393-1554

WENTZVILLE

1906 E Service Rd. HWY 61 N
Wentzville, MO 63385
636-445-9090

QUICK SUPPLY CO.

quicksupplyco.com

salesquick@quicksupplyco.com

DES MOINES

6620 NW Toni Dr.
Des Moines, IA 50313
515-289-1271

BOWMAN CONSTRUCTION SUPPLY

bowmanconstructionsupply.com

salesbcs@bowmanconstructionsupply.com

DENVER

10801 E. 54th Ave.
Denver, CO 80239
303-696-8960

COLORADO SPRINGS

2445 Wayside Ct.
Colorado Springs, CO 80915
719-257-7840

LOVELAND

4495 Woods Ave.
Loveland, CO 80538
970-535-0863

CASCADE GEOSYNTHETICS

cascadageos.com

salescascade@cascadageos.com

PORTLAND

3610 N. Suttle Rd. Bldg B
Portland, OR 97217
971-339-1020

SALT LAKE CITY

425 N. Neil Armstrong Rd.
Salt Lake City, UT 84116
435-276-0820

**GEOSYNTHETICS | EROSION CONTROL | STORMWATER MANAGEMENT
REVEGETATION & SOIL AMENDMENTS | SEDIMENT CONTROL | HARDSCAPES**