

ScreenBox

Standard and Combination Inlet

Installation Guide

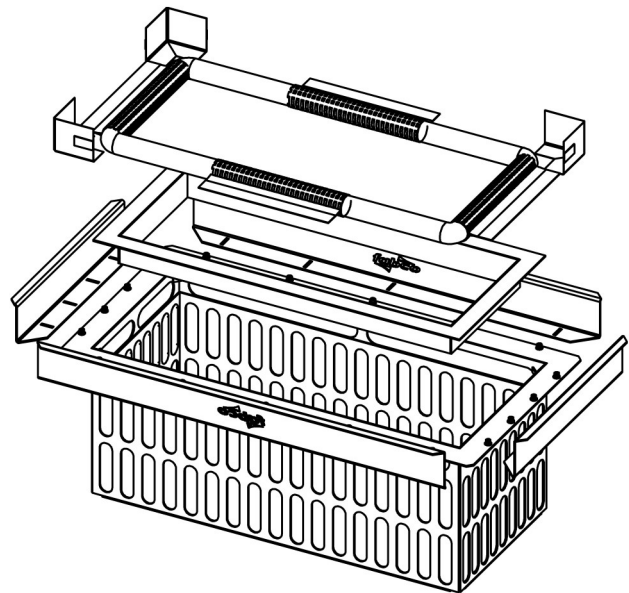


Fabco Industries Corporate Office

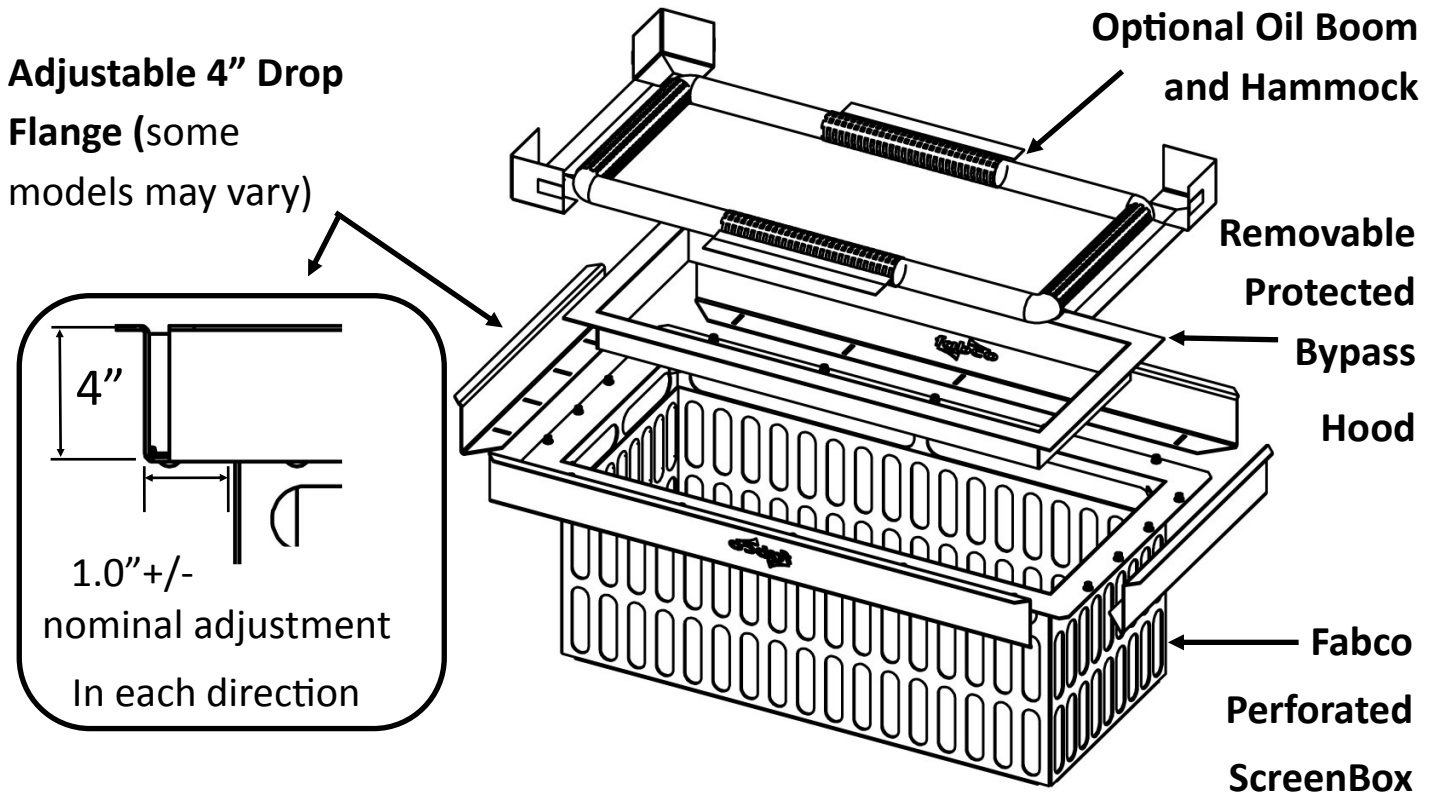
24 Central Drive
Farmingdale, NY 11735

Telephone: 631.393.6024
Fax: 631.501.5528

www.fabco-industries.com



The **Fabco ScreenBox** will deliver assembled and consists of the components designated below. The Frame/Flange system uses a sliding flange that provides 1.5" of adjustability on all four sides of the frame.



Tools Required For Installation

Stiff Brush	7/16" Socket Wrench
	 <p>or</p> <p>Utility Knife (for Combination Models w/SplashGuard)</p> 

ScreenBox Installation Guide

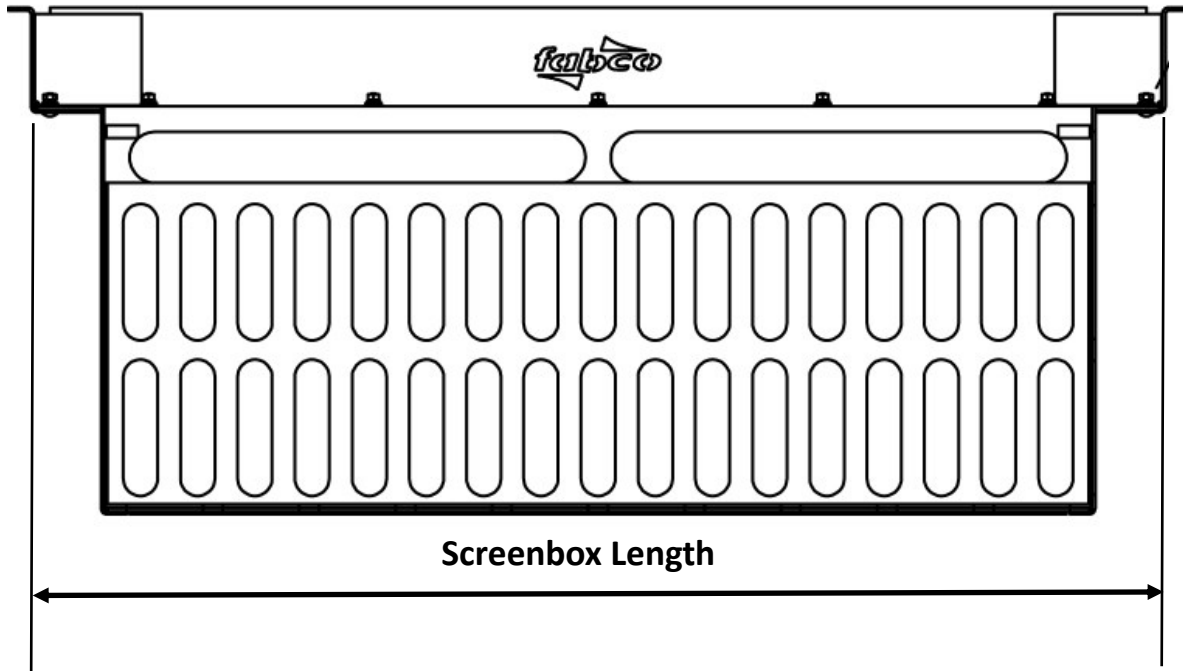
1. Be sure to follow proper road safety rules & regulations when working in the street. Begin by removing the grate from the inlet. CAUTION: Grates are extremely heavy. Some type of lifting mechanism is highly recommended. Carefully place the grate on the ground away from the work area.



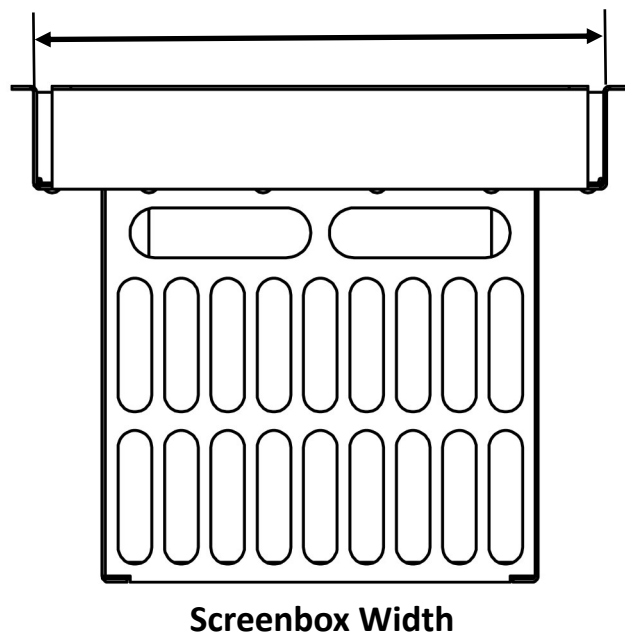
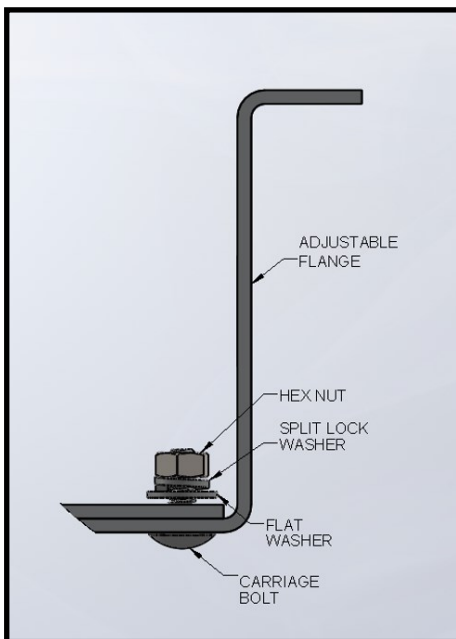
2. Measure and note the catch basin frame clear opening length and width. Remove any obstructions or debris that will interfere with the installed ScreenBox. If necessary, use a wire brush to remove caked on sediment from the grate support ledges.



3. Using the catch basin frame clear opening length and width measurements from Step 2, adjust the sliding flanges such that they will securely rest on the grate frame. The inside flange to flange distance should be equal to the previously measured clear space for both length and width.

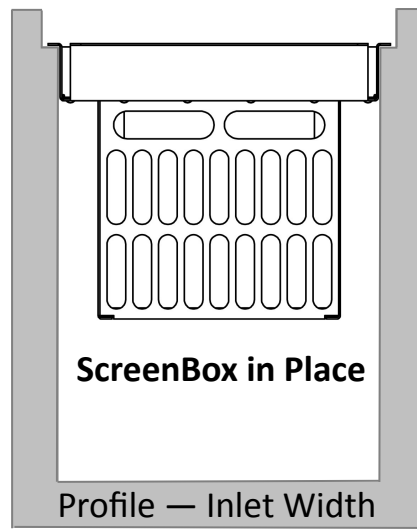
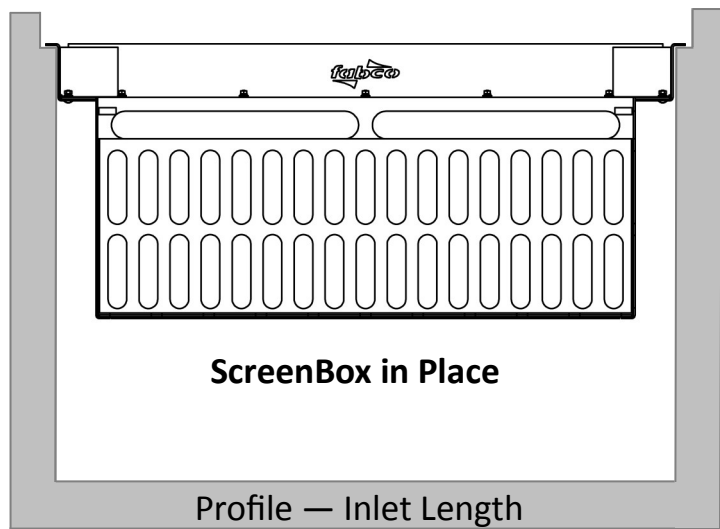


Sliding Flanges should be set at the grate frame clear space measurements

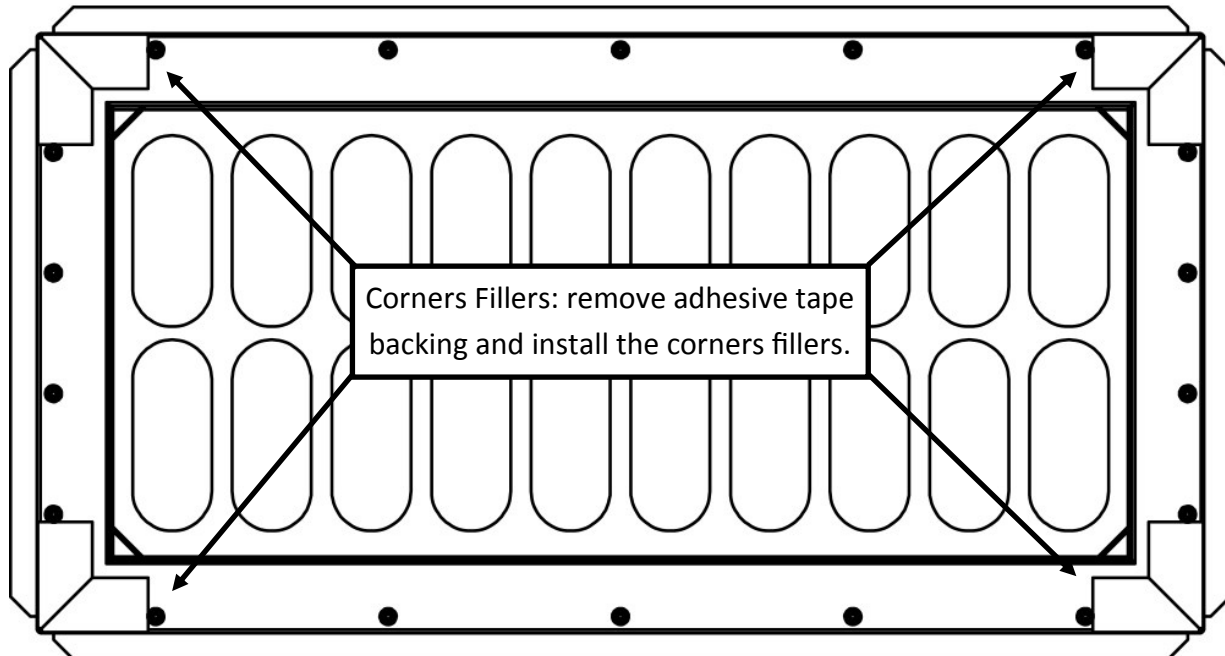
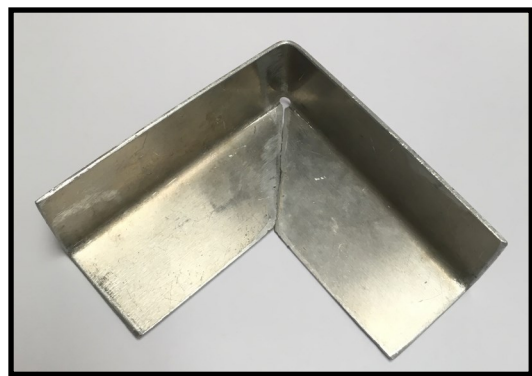


4. Loosen bolts as necessary and adjust sliding drop flanges to the required position and secure in place using a standard 7/16" socket wrench. Do not overtighten bolts.

5. To complete the installation, carefully lower the StormSack assembly into the storm drain and verify that the support flanges are securely resting on the storm grate support ledges as illustrated below. Reinstall the storm grate.

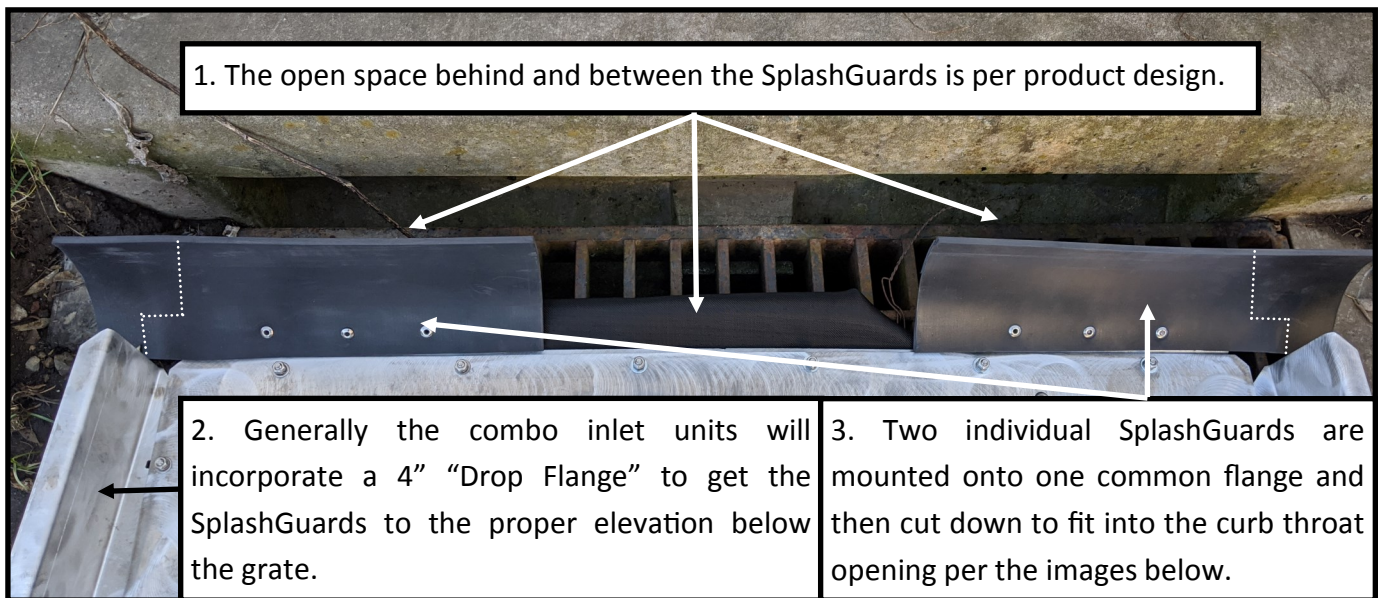
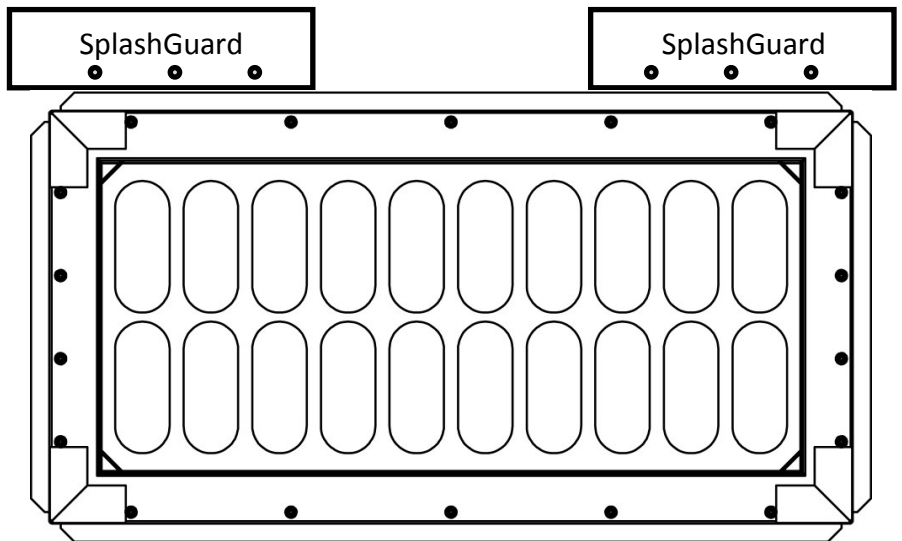


6. Corner fillers: ScreenBox units utilize the Fabco adjustable BMP frame/flange system. The adjustability inherently leaves some open space in the corners of the frame. The units will ship with “Corner Fillers” (pictured right) to address the open corner issue. Remove the adhesive tape backing and install the Corner Fillers. For ScreenBox units designed for combination (curb throat) inlets see Step 7 for further instruction. If unit has the optional Oil Boom and cradle see Step 8 for further instruction.

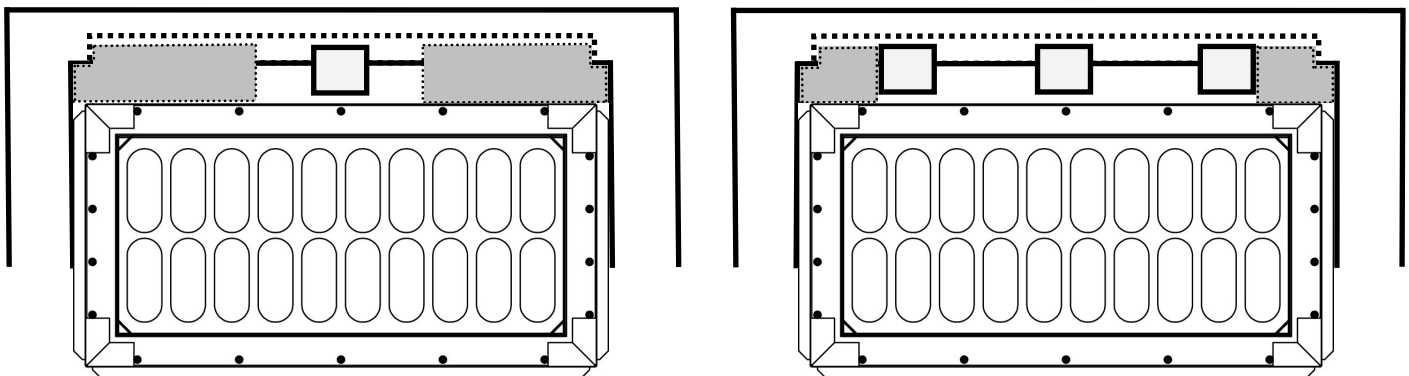


7. ScreenBoxes designed for combination (curb throat) inlets use a SplashGuard design as illustrated right.

The ScreenBox model designed for the combination inlets will provide support on three sides using the standard sliding flange. The fourth side that fits along the curb throat has two separate heavy rubber splashguards, one at each end. The splashguards are oversized with the intent being to cut them down to fit into the curb throat.



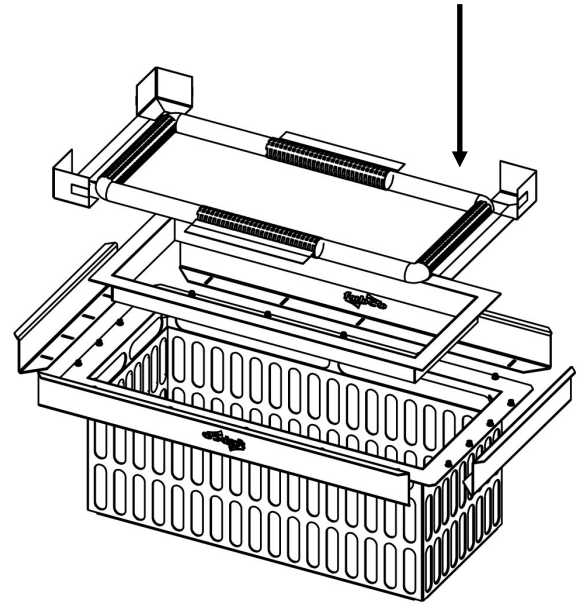
The image and notes above reinforce the basic look and concept of the dual SplashGuard flange associated with ScreenBox installations in combination (curb throat) inlets.



The SplashGuards are cut down to fit the curb throat opening as shown above. Please note that the intent of the SplashGuard is to divert the flow down the curblines into the StormSack BMP unit.

8. Oil Boom and Cradle: If the ScreenBox has the optional Oil Boom and Cradle, that component has the corners fillers included and will sit right into top of BMP style frame.

9. Every ScreenBox will include a separate removable Protected Bypass Hood that fits into the BMP style frame opening.



10. For more product information, please see our ScreenBox Operation and Maintenance Guide.

ScreenBox BMP Operation & Maintenance Guide





LOCATIONS & CONTACT INFO

ASP ENTERPRISES

aspent.com
salesasp@aspent.com

BOWMAN CONSTRUCTION SUPPLY

bowmanconstructionsupply.com
salesbcs@bowmanconstructionsupply.com

QUICK SUPPLY CO.

quicksupplyco.com
salesquick@quicksupplyco.com

CASCADE GEOSYNTHETICS

cascadageos.com
salescascade@cascadageos.com

St. Louis, MO 636.343.4357
Omaha, NE 402.861.8579
Kansas City, MO 816.554.1191
Wichita, KS 316.393.1554

Denver, CO 303.696.8960
Colorado Springs, CO 719.257.7840
Loveland, CO 970.535.0863

Des Moines, IA
515.289.1271

Portland, OR
971.339.1020

SOLUTIONS WE SUPPLY

GEOSYNTHETICS

Filter Fabrics
Stabilization Fabrics

Geogrids

- Road Grids
- Wall Grids
- Slope Stabilization

Specialty Fabrics

Composite Geomembranes

- GCLs, PVC, HDPE, LLDPE, EPDM, Granular Bentonite

SEDIMENT CONTROL

Inlet Protection

- Grated Inlet, Curb Inlet, Area Inlet Protection

Ditch Checks

- Triangle Silt Dike
- GeoRidge

Perimeter Protection

- High and Low-Porosity Silt Fence, Straw Wattles, Silt Socks
- Safety Fence

Flocculants & Water Treatment

- Polymer-Based & Natural Flocculants

Sediment Basin Skimmers

Dewatering Bags

Trackout Control

- FODS
- Rumble Grates

Turbidity Curtains

EROSION CONTROL

Basic Hydraulically Applied Mulches

- Wood
- Paper
- Blends
- Straw

High-Performance Hydraulically Applied Products

- BFM
- FGM
- Additives & Tackifiers

Temporary Erosion Control Blankets

- Coir & Jute Mat/Nettings
- Short-Term ECBs
- Extended-Term ECBs

Permanent Erosion Control Blankets

- Turf Reinforcement Mats
- HP-TRMs
- Anchor Reinforced Vegetation System

Structural BMPs

- Transition Mats
- Geoweb Cellular Confinement
- Composite Vegetated Armor System
- Flex MSE Vegetated Wall System
- Articulated Concrete Block
- Gabions
- Grout-Filled Geotextile Mats

Vegetation Establishment

- Native Seed & Turf Seed
- Fertilizers
- Organic Soil Additives
- Stratavault Soil Cells

STORMWATER MANAGEMENT

Water Quality

- Inlet Filter Boxes
- Pre-Treatment Chamber
- Nutrient Separating Baffle Boxes
- High-Flow Biofiltration Media
- Hydrodynamic Separators
- Stratavault

Water Quantity

- Modular Underground Storage Systems
- Chamber Detention Systems

Drainage

- HDPE Swale Liner
- Pipe & Fittings
- Drainage Composites
- Strip Drain

Inlet Structures

- PVC
- Drain Basins, In-Line Drains
- Landscape

Permeable Pavers

- Permeable Articulating Concrete Block
- Grass Pavers
- Gravel Pavers
- Concrete Pavers

SPECIALTY

Natural & Synthetic Coir Fiber Logs

Vegetated Reinforced Soil Slopes

Soil Anchors

Root Barrier System

AquaBlok

Muscle Wall

We are full line distributors of construction materials for all project types. Contact us for assistance with a project. From specification and development to installation and completion, we're here to help with all of your site solution needs.

**GEOSYNTHETICS | EROSION CONTROL | STORMWATER MANAGEMENT
SEDIMENT CONTROL | REVEGETATION & SOIL AMENDMENTS**