



CIVIL APPLICATIONS

Flood Protection ▼

Cut-off & Containment ▼

Water Control ▼

Retaining Structures ▼

Installation Equipment ▼





FLOOD PROTECTION

Flood Control projects using CMI's family of synthetic and aluminum sheet piling have been in service for over 25 years.



I-Beam Lock™

CMI's ShoreGuard® sheet pile features the patented I-Beam Lock™ for superior joint integrity and seam reliability.



30" BOX PROFILE

CMI produces the industry's largest profile sheet pile on the market, resulting in fewer locks or seams in your wall, reducing the number of driving episodes, and saving time and money.

Actual Size



RETAINING STRUCTURES

CMI offers the strongest Vinyl, FRP, and Aluminum sheet piling in the world, achieving retained heights in excess of 15 ft.

CUT-OFF & CONTAINMENT

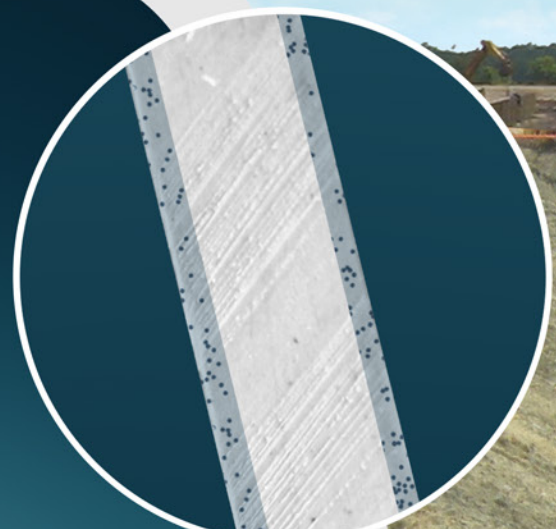
CMI sheet piling minimizes the construction footprint and requires less equipment at the job site than conventional methods.

XCR Technology

CMI's state-of-the-art facility, the only one of its kind, is dedicated specifically to the advancement of synthetic sheet piling.

XCR technology incorporates the latest innovations in material processing, high-precision co-extrusion, and superior formulations.

XCR technology allows CMI to deliver the most chemically resistant, high-quality, and dependable synthetic sheet pile on the market.



IMPERMEABLE

While the sheet pile itself is impermeable, independent laboratory tests conducted on certain CMI Sheet Piling have demonstrated effective wall permeability of $\approx 1 \times 10^{-7} \text{cm/s}$ without the use of hydrophilic sealant.

Projects that require a high degree of containment certainty should consider incorporating hydrophilic sealants to increase resistance.



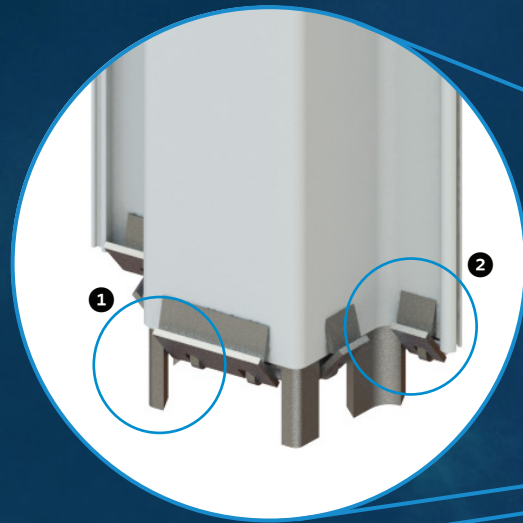
WATER CONTROL

Projects ranging from small retention ponds to the largest fresh water diversion structures in the world have utilized CMI's sheet pile products.

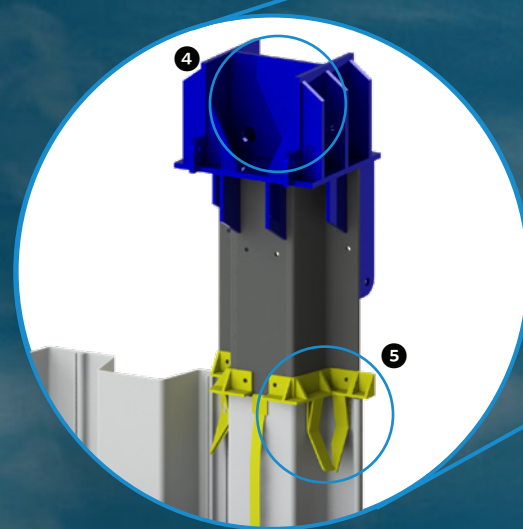




- 1 **Punch:** Breaks through rock and consolidated solids.
- 2 **Flippers:** Protect the leading edge and secure the pile to the mandrel during driving and rotate away upon extraction.



- 3 **Fluid Outlet:** Softens soils and assists in separation or slurry injection during extraction.



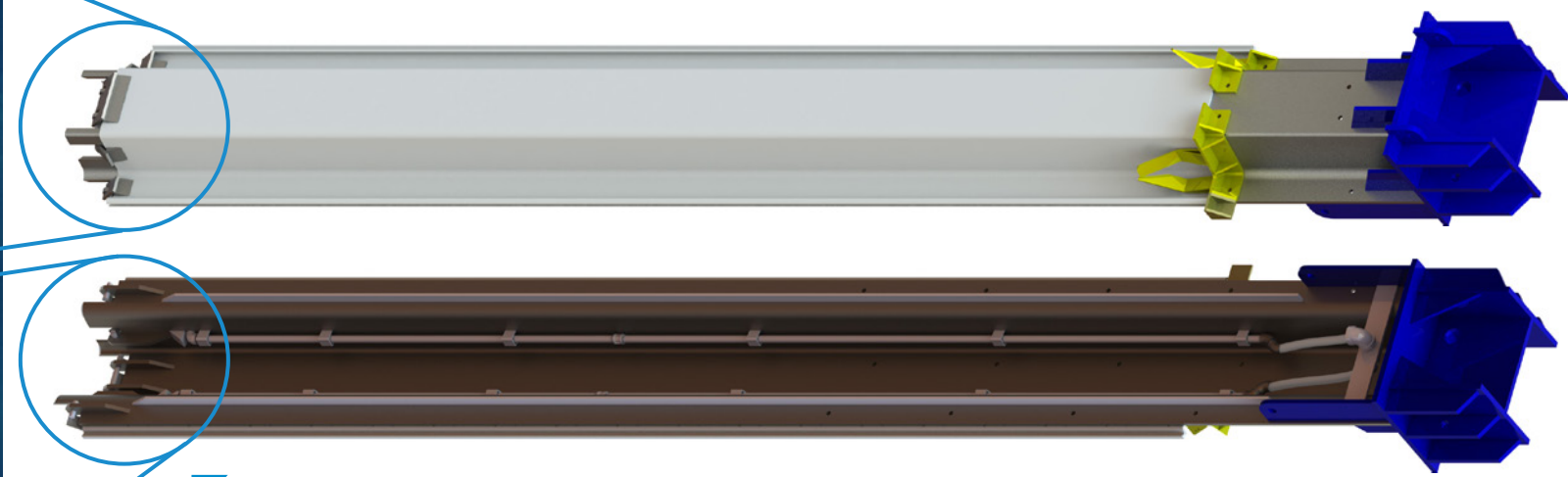
- 4 **Bite Plate:** Designed to accommodate a variety of Jaw styles & sizes.
- 5 **Holster:** Adjustable to accommodate varying sheet lengths

1-800-256-8857

PileClaw®

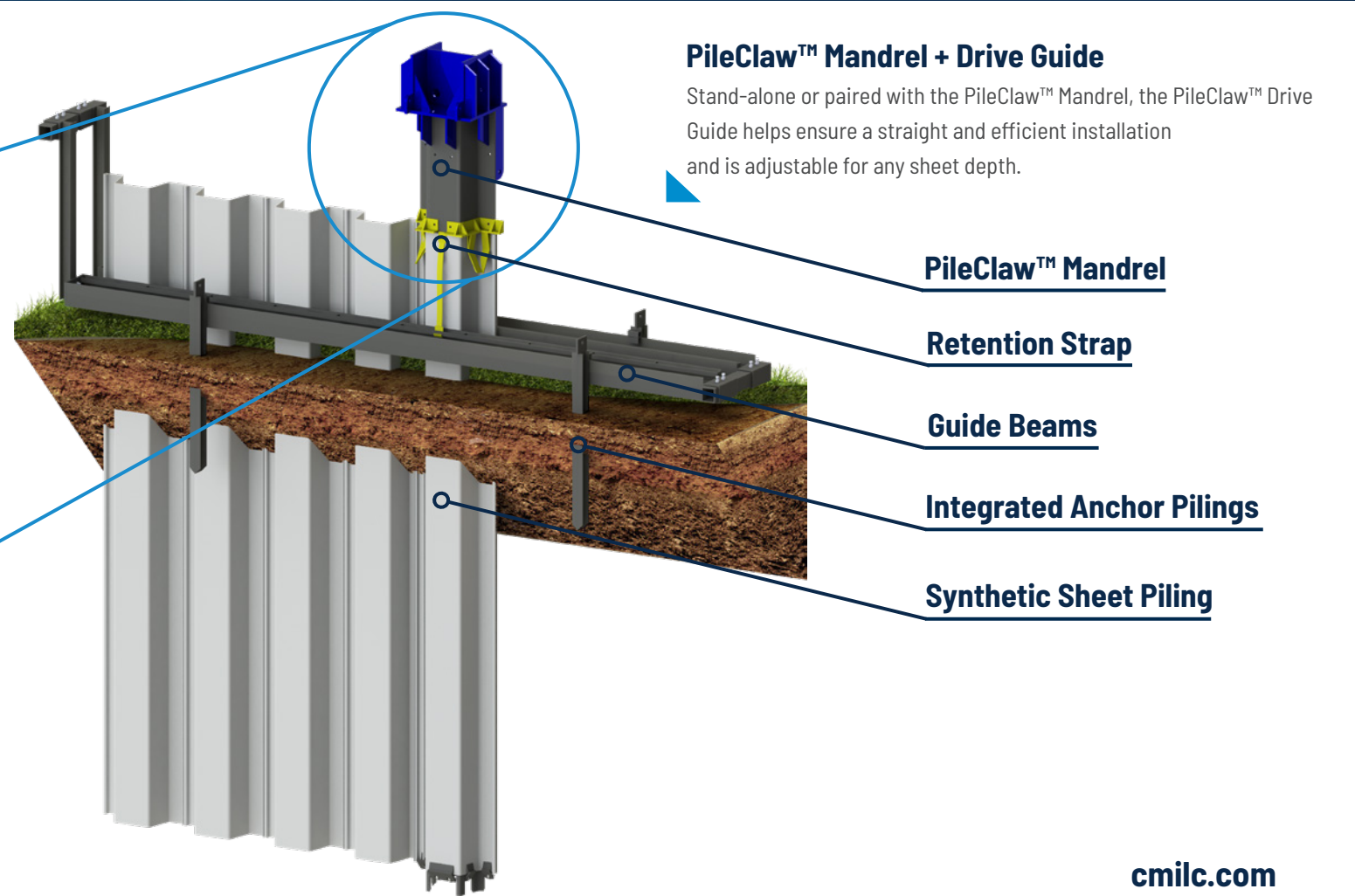
Installation Equipment

- ▶ Increase speed and accuracy of driving operations
- ▶ Engineered to match CMI's synthetic sheet piling profiles
- ▶ Features protect the integrity of sheet piling interlocks
- ▶ Minimize excessive soil disturbance



PileClaw™ Mandrel

Driving any sheet piling material to significant depths or in difficult soil is a challenging task. CMI's PileClaw™ Mandrel provides unparalleled driving assistance for the toughest construction environments.



PileClaw™ Mandrel + Drive Guide

Stand-alone or paired with the PileClaw™ Mandrel, the PileClaw™ Drive Guide helps ensure a straight and efficient installation and is adjustable for any sheet depth.

PileClaw™ Mandrel

Retention Strap

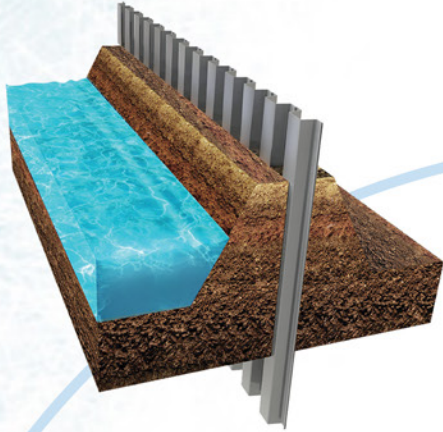
Guide Beams

Integrated Anchor Pilings

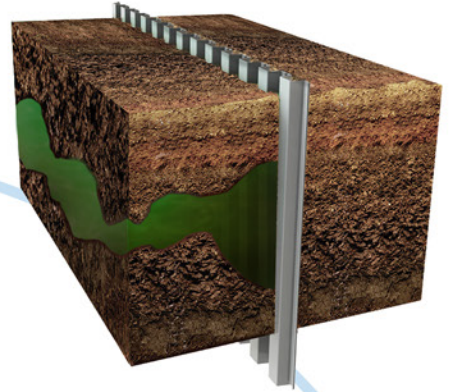
Synthetic Sheet Piling

cmilc.com

Flood Protection



Cut-Off & Containment



ShoreGuard[®]
Synthetic Sheet Piling



UltraComposite[®]
Sheet Piling & Piles



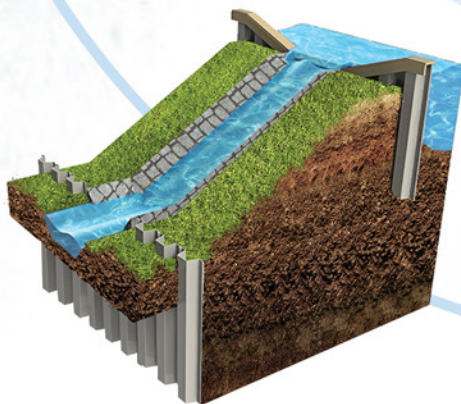
AlumiGuard[™]
Aluminum Sheet Piling



ArmorWare[®]
Components & Accessories



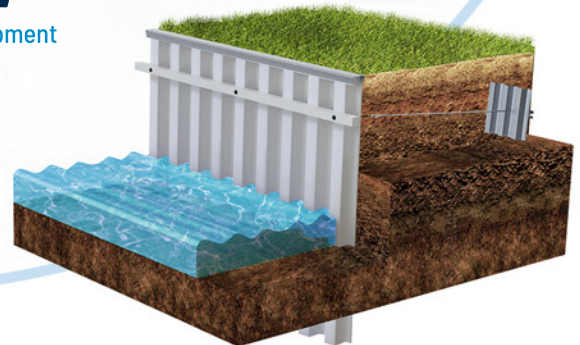
TimberGuard[®]
Marine Piling & Timber



Water Control



PileClaw[®]
Installation Equipment



Retaining Structures



DISTRIBUTED BY:

ASP Enterprises, Quick Supply Co., Bowman Construction Supply & Cascade Geosynthetics are sister companies that serve customers from the Midwest, across the Rocky Mountains to the Pacific Northwest. Together we supply customers with a variety of environmental construction materials including erosion and sediment control, geosynthetics, stormwater management, drainage products, hardscapes and outdoor living, revegetation and soil amendments, waterproofing solutions and more.



We are full line distributors of environmental construction materials for all project types. Contact us for assistance with a project or a quote on products. From specification recommendations and project development to installation and completion, we're here to help with all of your site solution needs. Our warehouses are stocked with readily available inventory and we offer same and next-day deliveries.

ASP ENTERPRISES

aspent.com

salesasp@aspent.com

ST. LOUIS

1099 Cassens Industrial Ct.
St. Louis, MO 63026
636-343-4357

KANSAS CITY

5301 E 59th St.
Kansas City, MO 64130
816-554-1191

OMAHA

15263 Cooper St.
Omaha, NE 68138
402-861-8579

WICHITA

316-393-1554

WENTZVILLE

1906 E Service Rd. HWY 61 N
Wentzville, MO 63385
636-445-9090

QUICK SUPPLY CO.

quicksupplyco.com

salesquick@quicksupplyco.com

DES MOINES

6620 NW Toni Dr.
Des Moines, IA 50313
515-289-1271

BOWMAN CONSTRUCTION SUPPLY

bowmanconstructionsupply.com

salesbcs@bowmanconstructionsupply.com

DENVER

10801 E. 54th Ave.
Denver, CO 80239
303-696-8960

COLORADO SPRINGS

2445 Wayside Ct.
Colorado Springs, CO 80915
719-257-7840

LOVELAND

4495 Woods Ave.
Loveland, CO 80538
970-535-0863

CASCADE GEOSYNTHETICS

cascadageos.com

salescascade@cascadageos.com

PORTLAND

3610 N. Suttle Rd. Bldg B
Portland, OR 97217
971-339-1020

SALT LAKE CITY

425 N. Neil Armstrong Rd.
Salt Lake City, UT 84116
435-276-0820

**GEOSYNTHETICS | EROSION CONTROL | STORMWATER MANAGEMENT
REVEGETATION & SOIL AMENDMENTS | SEDIMENT CONTROL | HARDSCAPES**