

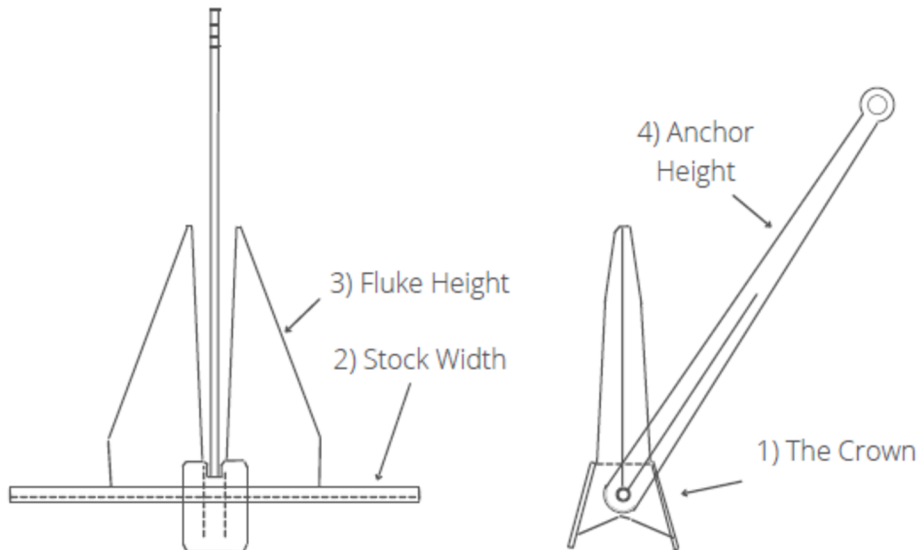
ANCHOR KITS

SPECIFICATION SHEET



As an add on to the BMP Turbidity Curtains, get everything you need in one convenient kit with a Danforth Anchor Kit. This anchoring kit includes **an anchor, chain, rope, two shackles, and two buoys**. Danforth anchors offer exceptional holding power for their weight, making them the industry leader in efficiency. Each Danforth fluke anchor is manufactured from high strength steel then hot dip galvanized for long lasting protection.

Value	14lbs Anchor	25lbs Anchor	40lbs Anchor
Anchor Weight:	14 lbs.	25 lbs.	40 lbs.
Holding Power:	920 lbs.	1600 lbs.	2,000 lbs.
Anchor Height (4):	28.25"	35"	40.25"
Stock Width (2):	21.50"	26.75"	31"
Fluke Height (3):	14.25"	19"	22"



The information contained herein is furnished without charge or obligation and the recipient assumes all responsibility for its use. Because conditions of use and handling may vary and are beyond our control, we make no representation about, and are not responsible or liable for the accuracy and reliability of said information or the performance of any product. Any specification, property or application listed herein are provided as information only and in no way modify, amend, enlarge or create any warranty. Nothing contained herein is to be construed as permission or as a recommendation to infringe any patent.

ANCHOR KITS

SPECIFICATION SHEET



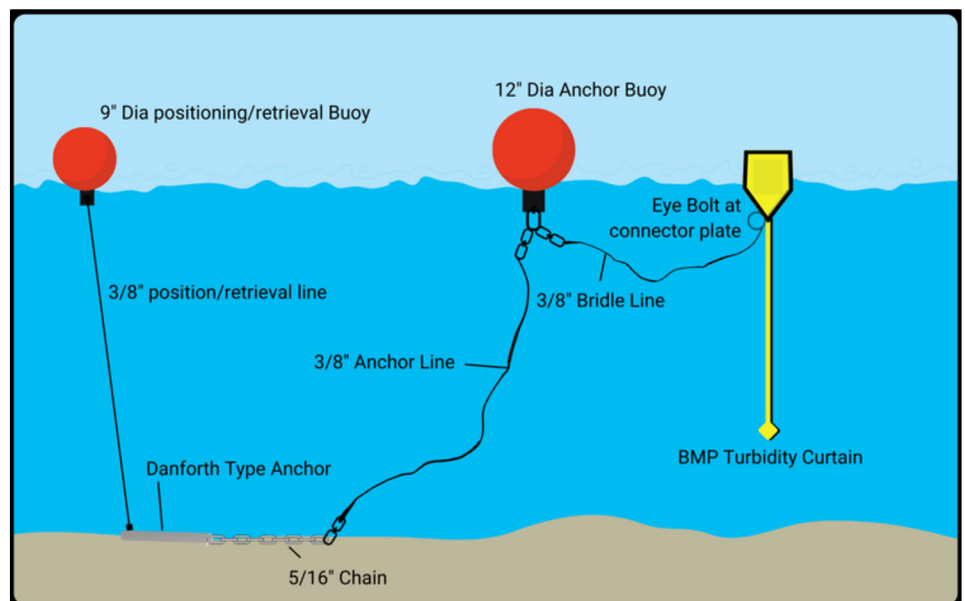
What's in the box:

- 1- Anchor
- 1- Chain
- 1- Rope
- 2- Shackles
- 2- Buoys



Instructions:

- Connect the 12" anchor buoy to the bridle line and clip the other end to the turbidity curtain's connector plate.
- Clip the long anchor line's carabiner to the anchor rode chain and tie the other end to the 12" anchor buoy at the desired



- Clip the positioning/retrieval line to the anchor's retrieval point.
- Back the boat away while playing out the anchor line. Lower the anchor carefully using the positioning/retrieval line until it reaches the bottom.
- Tie the other end of the positioning/retrieval line to the 9" retrieval buoy so it floats above the anchor.



DISTRIBUTED BY:

ASP Enterprises, Quick Supply Co., Bowman Construction Supply & Cascade Geosynthetics are sister companies that serve customers from the Midwest, across the Rocky Mountains to the Pacific Northwest. Together we supply customers with a variety of environmental construction materials including erosion and sediment control, geosynthetics, stormwater management, drainage products, hardscapes and outdoor living, revegetation and soil amendments, waterproofing solutions and more.



We are full line distributors of environmental construction materials for all project types. Contact us for assistance with a project or a quote on products. From specification recommendations and project development to installation and completion, we're here to help with all of your site solution needs. Our warehouses are stocked with readily available inventory and we offer same and next-day deliveries.

ASP ENTERPRISES

aspent.com

salesasp@aspent.com

ST. LOUIS

1099 Cassens Industrial Ct.
St. Louis, MO 63026
636-343-4357

KANSAS CITY

5301 E 59th St.
Kansas City, MO 64130
816-554-1191

OMAHA

15263 Cooper St.
Omaha, NE 68138
402-861-8579

WICHITA

316-393-1554

WENTZVILLE

1906 E Service Rd. HWY 61 N
Wentzville, MO 63385
636-445-9090

QUICK SUPPLY CO.

quicksupplyco.com

salesquick@quicksupplyco.com

DES MOINES

6620 NW Toni Dr.
Des Moines, IA 50313
515-289-1271

BOWMAN CONSTRUCTION SUPPLY

bowmanconstructionsupply.com

salesbcs@bowmanconstructionsupply.com

DENVER

10801 E. 54th Ave.
Denver, CO 80239
303-696-8960

COLORADO SPRINGS

2445 Wayside Ct.
Colorado Springs, CO 80915
719-257-7840

LOVELAND

4495 Woods Ave.
Loveland, CO 80538
970-535-0863

CASCADE GEOSYNTHETICS

cascadageos.com

salescascade@cascadageos.com

PORTLAND

3610 N. Suttle Rd. Bldg B
Portland, OR 97217
971-339-1020

SALT LAKE CITY

425 N. Neil Armstrong Rd.
Salt Lake City, UT 84116
435-276-0820

**GEOSYNTHETICS | EROSION CONTROL | STORMWATER MANAGEMENT
REVEGETATION & SOIL AMENDMENTS | SEDIMENT CONTROL | HARDSCAPES**